

MELBOURNE HOPPER VALVE- DESIGN SHEET

CUSTOMER:-

PRODUCT:-

MOISTURE CONTENT:-

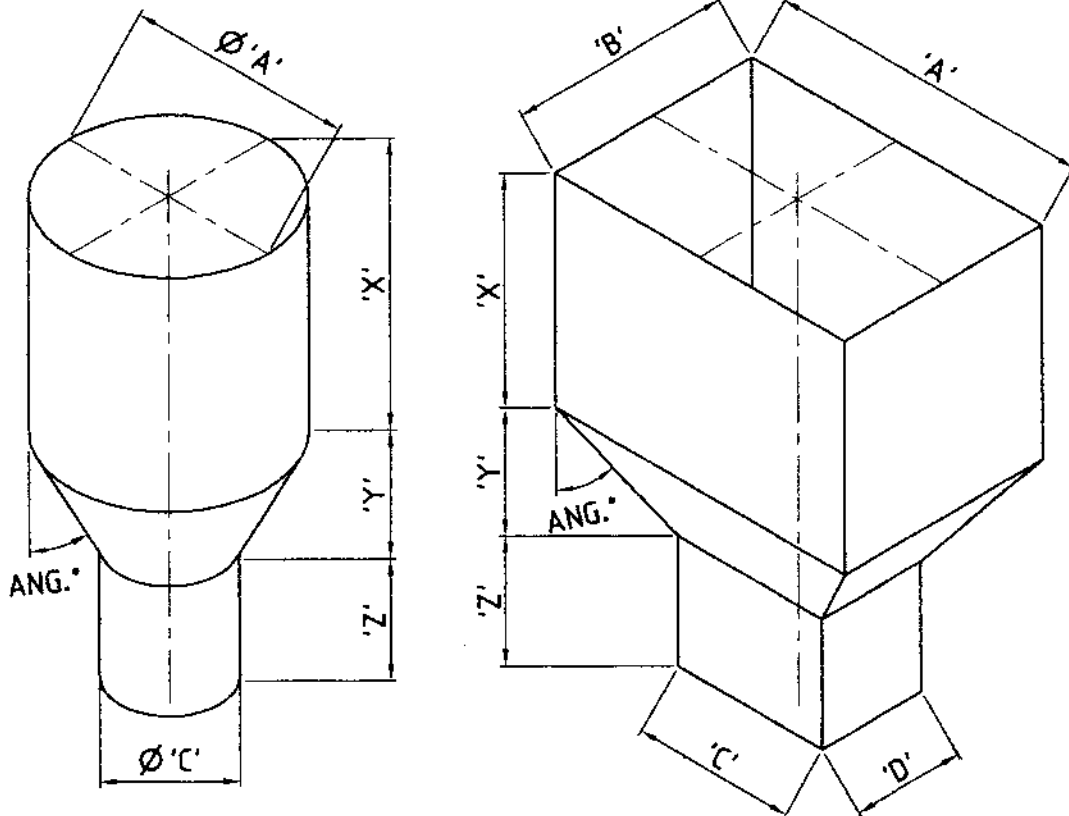
TEMPERATURE:-

WEIGHT OF PRODUCT:-

BULK DENSITY:-

AIR SUPPLY:-

HOPPER MATERIAL:-



DETAIL ON SKETCH WHERE PRODUCT IS STICKING
& NUMBER/LOCATION OF VALVES REQUIRED



JS.MELBOURNE CONTROLS P/L
18 MELRICH ROAD
BAYSWATER, VIC. 3153
AUSTRALIA
TEL: (03)-9761 0811
FAX: (03)-9761 0911